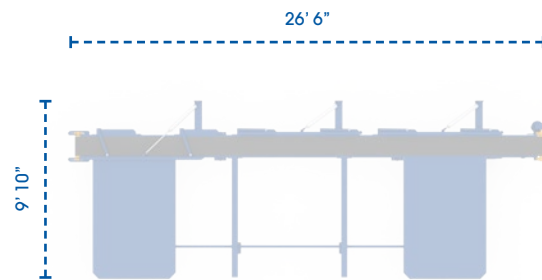
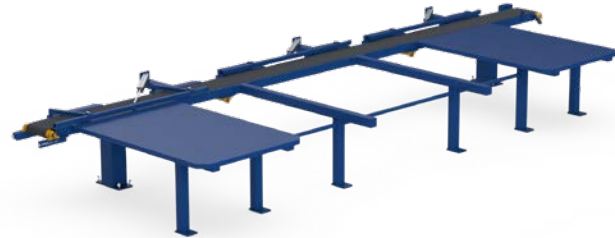




/ OUTFEED

VEKTA MINI MULTISTATION OFK



/ SUMMARY

Increase your efficiency and flexibility without sacrificing floorspace.

The Mini Multistation Outfeed Kick-off (OFK) gives you a second full-size kick-off area: separate your cut members by job, type, length and reduce your sorting time on the outfeed.

/ FEATURES

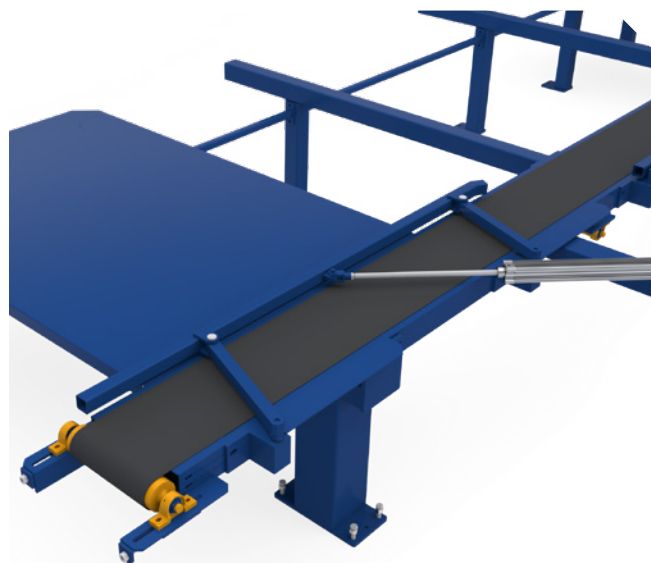
- Simple rules to govern the kick-off location of your members, offcuts, reuse, and waste
- Cut two jobs at once and kick to different locations or split your components by whatever means suits you
- Minimal maintenance & easy to source spares

/ OPTIONS

- Extended safety options including e-stop lanyards, switches and light curtains always available and can be added later
- Upgrade to a dual direction kick-off to push members in both directions after cutting (de-stacking capability available)
- Easily change your kick-off rules at any time to suit the job

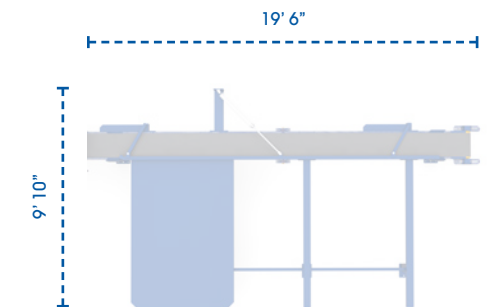
/ SPECIFICATIONS

Kick-off cycle time	<2 secs
Max. delivery locations	4 (kick-off 1, kick-off 2, middle between tables, off end)



/ OUTFEED

VEKTA OFK



/ SUMMARY

Vekta Outfeed Kick-off (OFK) offers versatile outfeed solutions to complement high-speed linear saw cutting.

Single kick-offs built to a specific orientation and shape, or upgrade to a Direct Delivery System (DDS) complete outfeed solution.

/ FEATURES

- Unlock the full potential of the P3 printer with an intelligent conveying outfeed
- Standard tables can be replaced with gravity roller tables or powered chain kick-offs as required

/ OPTIONS

- Single and dual direction kick-off solutions – with de-stacking capability

/ SPECIFICATIONS

Height – overall from floor	2' 12"
Lumber length to destack	1' 7" – 20'
Kick-off cycle time	<2 secs

